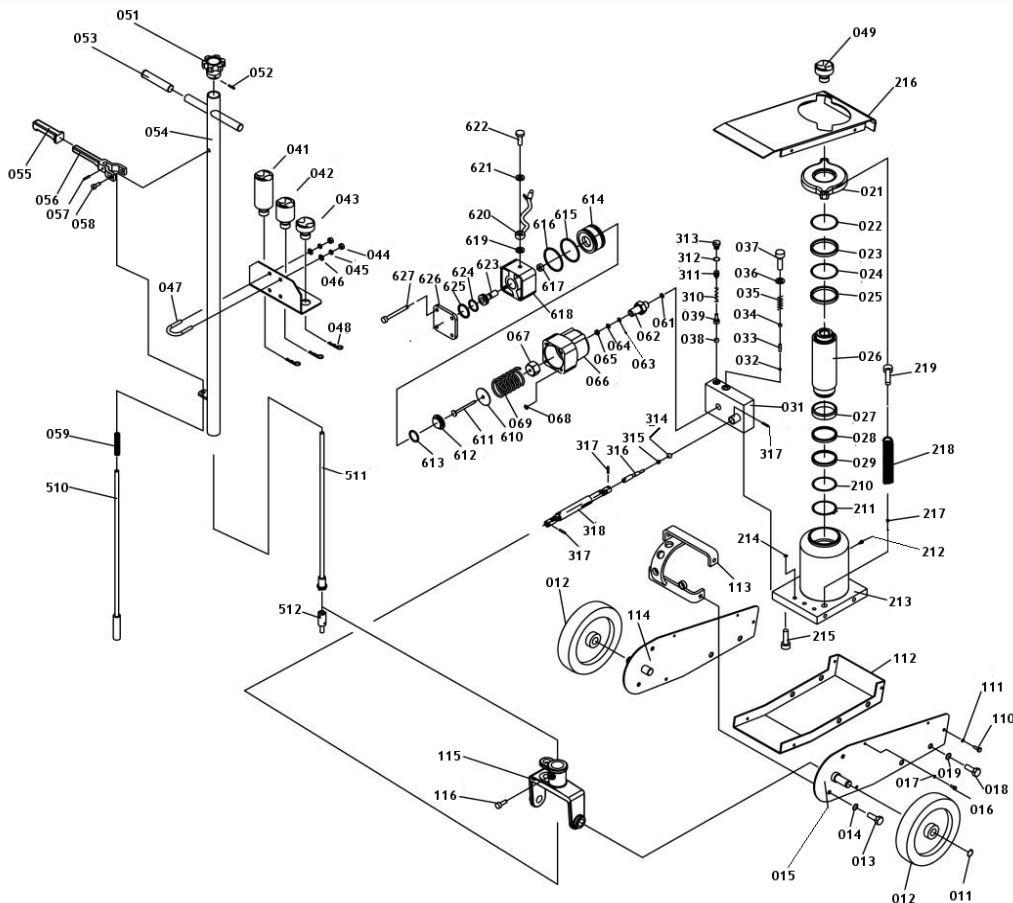


TROUBLE SHOOTING

Problem	Cause	Solution
Erratic Action	<ol style="list-style-type: none"> 1. Air in system 2. Viscosity of oil too high 3. Ram sticking or binding 4. Internal leakage in ram 	<ol style="list-style-type: none"> 1. With jack sitting on its base and ram retracted, bleed air by opening release valve. Pump for 10 seconds. 2. Change to a lower viscosity oil. 3. Look for dirt, gummy deposits, leaks, misalignment, worn parts, or defective packing. 4. Replace worn packings. Look for excessive contamination or wear.
Ram does not advance	<ol style="list-style-type: none"> 1. Release valve is open 2. Low/no oil in reservoir 3. Air locked system 4. Load is above capacity of system 5. Pump lost its prime 	<ol style="list-style-type: none"> 1. Close release valve located on top of "T" handle. 2. Fill with oil & bleed system. 3. With jack sitting on its base and ram retracted, bleed air by opening release valve, running pump for 10 seconds. 4. Use correct equipment. 5. Follow "Pump Prime Instructions" .
Ram only extends partially	<ol style="list-style-type: none"> 1. Low oil level in reservoir 2. Piston rod is binding 	<ol style="list-style-type: none"> 1. Fill reservoir with oil, & bleed system. 2. Look for dirt, gummy deposits, leaks, misalignment, worn parts, or defective packing.
Ram advances slowly	<ol style="list-style-type: none"> 1. Low air pressure 2. Pump not working correctly 3. Leaking seals 	<ol style="list-style-type: none"> 1. Adjust air pressure to 90–145 psi. 2. Rework pump. 3. Replace seals.
Ram advances but doesn't hold pressure	<ol style="list-style-type: none"> 1. Release valve is open 2. Ram seals are leaking 3. Pump check valve not working 4. Overload valve leaking or not adjusted 	<ol style="list-style-type: none"> 1. Close release valve located on top of "T" handle. 2. Replace seals. 3. Clean / replace check valve. 4. Replace / adjust overload valve.
Jack leaks oil	<ol style="list-style-type: none"> 1. Worn or damaged seals 	<ol style="list-style-type: none"> 1. Replace seals.
Ram will not retract, or retracts slowly	<ol style="list-style-type: none"> 1. Release valve is closed 2. Reservoir too full 3. Ram damaged internally 	<ol style="list-style-type: none"> 1. Open release valve. 2. Drain oil to correct level. 3. Take jack to authorized service center for repair.



Part No.	Description	Qty.	Part No.	Description	Qty.
14140-011	Snap Ring	2	14140-317	Rivet	8
14140-012	Wheel	2	14140-318	Universal Joint Assembly	1
14140-013	Bolt	1	14140-041	100mm Extension Adapter	1
14140-014	Washer	4	14140-042	60mm Extension Adapter	1
14140-015	Frame Right	1	14140-043	20mm Extension Adapter	1
14140-016	Bolt	4	14140-044	Nut	2
14140-017	Washer	4	14140-045	Spring Washer	2
14140-018	Bolt	4	14140-046	Flat Washer	2
14140-019	Washer	4	14140-047	U-Bolt	1
14140-110	Bolt	4	14140-048	Hairpin Clip	3
14140-111	Washer	4	14140-049	20mm Extension Adapter	1
14140-112	Bed	1	14140-051	Knob	1
14140-113	Bracket	1	14140-052	Pin	1
14140-114	Frame left	1	14140-053	Handle Sleeve	2
14140-115	Handle Socket	1	14140-054	Handle Assembly	1
14140-116	Bolt	1	14140-055	Sleeve	1
14140-021	Spring Hanger	1	14140-056	Lock Lever	1
14140-022	Snap Ring	1	14140-057	Pin	1
14140-023	Bushing	1	14140-058	Bolt	2
14140-024	O-Ring	1	14140-059	Spring	1
14140-025	Bushing	1	14140-510	Control Rod	1
14140-026	Piston Rod	1	14140-511	Convey Rod	1
14140-027	Riston Ring	1	14140-512	Rod Joint	1
14140-028	Washer	1	14140-061	Copper Washer	1
14140-029	O-Ring	1	14140-062	Cylinder Pump	1
14140-210	Washer	1	14140-063	Y-Sealing Washer	1
14140-211	Snap Ring	1	14140-064	Nylon Washer	1
14140-212	Oil Filler Plug	1	14140-065	Copper Washer	1
14140-213	Oil Cylinder Assembly	1	14140-066	Air Motor Housing A	1
14140-214	O-Ring	3	14140-067	Hex Nut	1
14140-215	Bolt	3	14140-068	O-Ring	4
14140-216	Cover Board	1	14140-069	Spring	1
14140-217	Nut	2	14140-610	Washer	1
14140-218	Spring	2	14140-611	Pump Plunger	1
14140-219	Bolt	2	14140-612	Washer	1
14140-031	Valve Block	1	14140-613	O-Ring	1
14140-032	Steel Ball	1	14140-614	Piston	1
14140-033	Pin	1	14140-615	O-Ring	1
14140-034	Steel Ball	1	14140-616	O-Ring	1
14140-035	Spring	1	14140-617	Copper Washer	1
14140-036	Copper Washer	1	14140-618	Air Motor Housing B	1
14140-037	Bolt	1	14140-619	Copper Joint Ring	1
14140-038	Steel Ball	1	14140-620	Air Hose w/Air Valve	1
14140-039	Ball Seat	1	14140-621	Washer	1
14140-310	Spring	1	14140-622	Bolt	1
14140-311	Screw	1	14140-623	Release Air Rod	1
14140-312	Sealing Washer	1	14140-624	O-Ring	1
14140-313	Valve Plug Screw	1	14140-625	O-Ring	1
14140-314	Steel Ball	1	14140-626	Cylinder Cover	1
14140-315	Sealing Washer	1	14140-627	Bolt	1
14140-316	Release Valve Rod	1			



AME INTL. 2324 Circuit Way, Brooksville, FL 34604

P: 352-799-1111 / F: 352-799-1112

www.ameintl.net